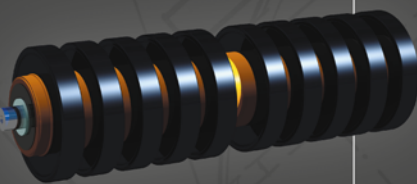
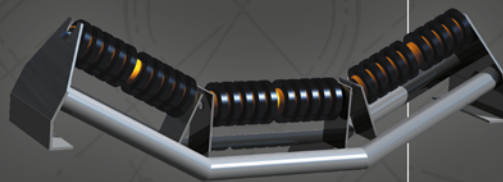
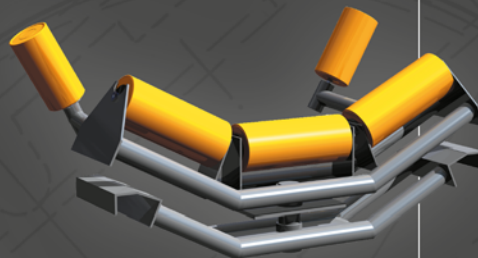
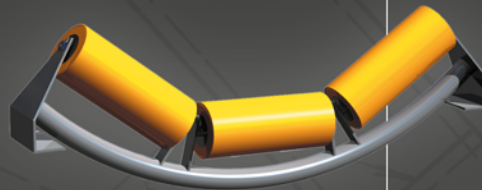


PRODUCT RANGE

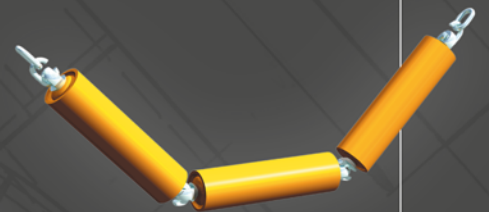
ROLLERS



STATIONS



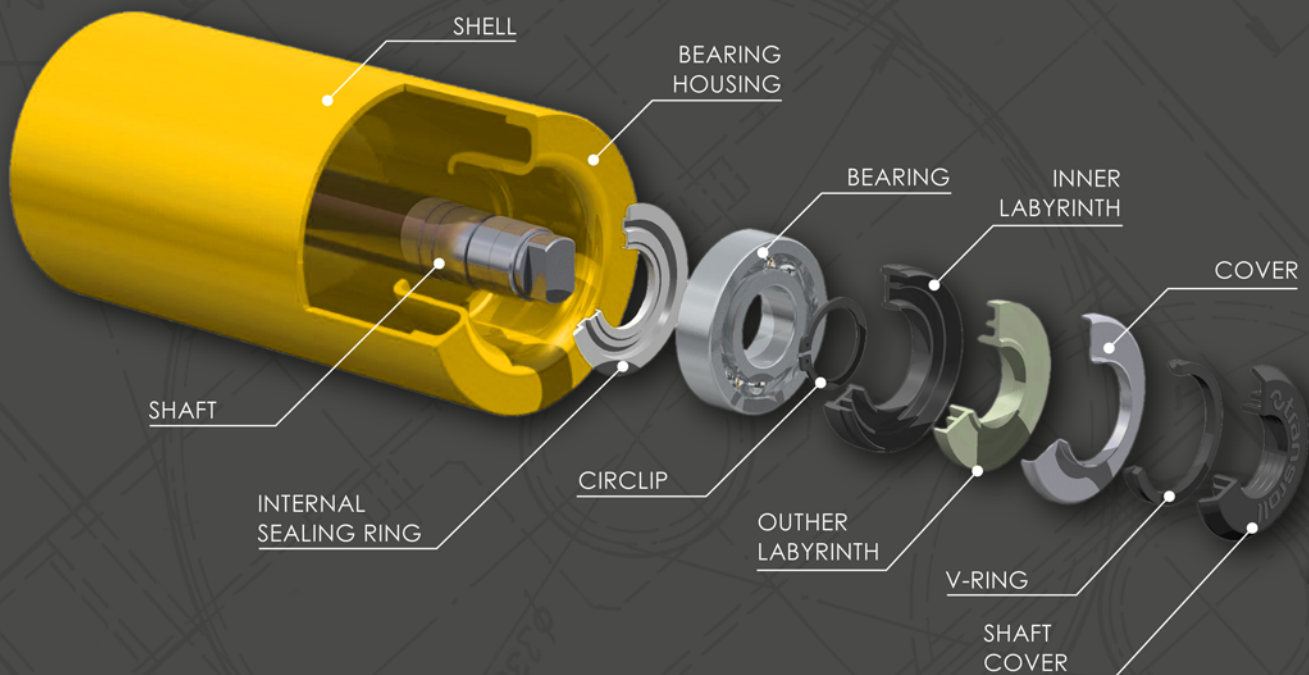
GARLANDS



ROLLERS

FLAT ROLLERS		TRAINING ROLLERS	
RUBBER-LAGGED ROLLERS		DISC ROLLERS (SELF CLEANING)	
IMPACT ROLLERS		SPIRAL ROLLERS (SELF CLEANING)	
PLASTIC ROLLERS		DRUMS	
CONVEYOR ROLLERS		CONVEYOR ROLLERS	

THE MAIN COMPONENTS OF THE ROLLER



Registered office

TRANSROLL - CZ, a.s.
Kubánské náměstí 1391/11
100 00 PRAHA 10 - Vršovice
Czech Republic

Manufacturing

TRANSROLL - CZ, a.s.
Komenského 614
691 44 LEDNICE
Czech Republic

Tel.: +420 519 364 584
info@transroll.cz

[Linked in](#) TRANSROLL – CZ
[facebook](#) TRANSROLL – CZ, a.s.